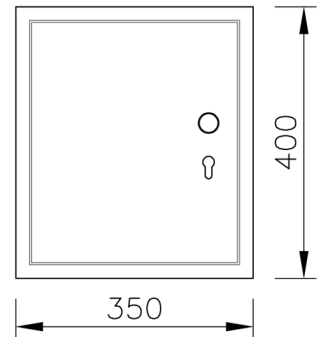
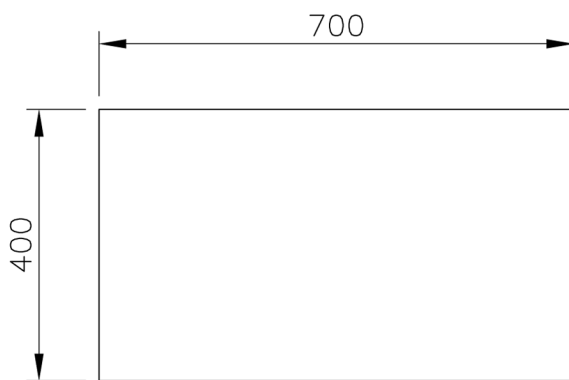


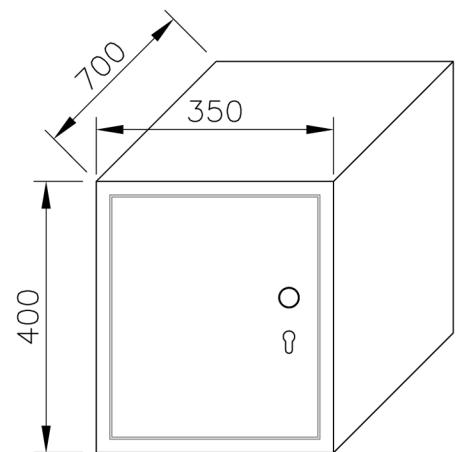
map



front view



side view



axonometry



Box manufactured with metal steel sheet 30/10 mm thick dusty painted;

Electrical interlock for doors by electric releases:

Blocked without electricity supply;

Electricity supply 12Vdc;

Electrical absorption 230 mA;

Opening limited to electrical pulse duration;

Switch for lock position;

Hidden hinges;

Fixed knobs on both doors;

Security lock with turn of the key for mechanical closing of the doors;

Electronic control.

Available upon request: different Ral colour, armouring increased or ballistics and different design.